

## DIFFERENTIAL INDICATOR ORDERING CODE INFORMATION

### Visual, Electrical and Electrical Visual

Example: 

P
---

V
---

D
---

H
---

B
---

N
---

N
---

Table:                    1            2            3            4            5            6

**Table 1**

CODE	STYLE OPTION
V	Visual
E	Electrical
D	Electrical/Visual

**Table 2**

CODE	SETTINGS AND FEATURES
A	70 ± 10 visual with thermal lockout and surge control
B	70 ± 10 electrical/visual with thermal lockout and surge control
C	15 ± 4 psid electrical/visual auto reset
D	35 ± 5 psid electrical/visual auto reset
E	100 ± 12 psid electrical/visual auto reset
F	15 ± 4 psid electrical/visual with thermal lockout
G	35 ± 5 psid electrical/visual with thermal lockout
H	15 ± 4 psid electrical/visual with 12" 3-wire flying lead auto reset
I	70 ± 10 psid visual auto reset
J	Port plug
K	15 ± 4 psid visual auto reset
L	35 ± 5 psid visual auto reset
M	35 ± 5 psid with thermal lockout and surge control
N	35 ± 5 psid electrical/visual with 12" 3-wire flying lead auto reset
O	100 ± 12 psid visual auto reset
P	100 ± 12 psid visual with thermal lockout and surge control
Q	15 ± 4 psid electrical auto reset
R	35 ± 5 psid electrical auto reset
S	100 ± 12 psid electrical/visual with 12" 3-wire flying lead auto reset
T	100 ± 12 psid electrical auto reset
U	70 ± 10 psid electrical auto reset
V	70 ± 10 psid electrical/visual with thermal lockout

Note: Reference individual model series for indicator options.

**Table 2 (Continued)**

CODE	SETTINGS AND FEATURES
W	100 ± 12 psid electrical/visual with thermal lockout
X	15 ± 4 psid electrical/visual with thermal lockout and surge control
Y	35 ± 5 psid electrical/visual with thermal lockout and surge control
Z	100 ± 12 psid electrical/visual with thermal lockout and surge control

**Table 3**

CODE	RECEPTACLE OPTION
B	5-pin Brad Harrison (41512)
H	Hirschmann DIN 43650
N	No receptacle

**Table 4**

CODE	SEAL OPTION
B	Buna N
V	Viton

**Table 5**

CODE	THERMAL LOCKOUT OPTION
N	None
T	Thermal Lockout 80 F ± 20 F

**Table 6**

CODE	SURGE CONTROL OPTION
N	None
S	Surge Control

**DIFFERENTIAL INDICATOR KIT MODEL CODES**

Designed for Series	Description & Identification	Code	Model Code #
041, 042, 322, 350, 440, 451, 610, 620, 621	Visual $\Delta P$ 70 $\pm$ 10 w/TL and Surge Control	A	PVANBTS
041, 042, 322, 350, 440, 451, 610, 620, 621	Electrical/Visual $\Delta 70 \pm 10$ w/TL and Surge Control	B	PDBHBTS PDBBBTS
022, 023, 041, 042, 061, 350	Electrical/Visual $\Delta P$ 15 $\pm$ 4 PSID	C	PDCHBNN PDCBBNN
022, 023, 041, 042, 061, 322, 350, 440, 451, 610, 620, 621	Electrical/Visual $\Delta P$ 35 $\pm$ 5 PSID	D	PDDHBNN PDDBBNN
041, 042, 061, 322, 350, 440, 451, 610, 620, 621	Electrical/Visual $\Delta P$ 100 $\pm$ 12 PSID	E	PDEHBNN PDEBBNN
022, 023, 041, 042, 061, 350	Electrical/Visual $\Delta P$ 15 $\pm$ 4 PSID TL @ 100°F	F	PDFHBTN PDFBBTN
022, 023, 041, 042, 061, 322, 350, 440, 451, 610, 620, 621	Electrical/Visual $\Delta P$ 35 $\pm$ 5 PSID TL @ 100°F	G	PDGHBTN PDGBBTN
022, 023, 041, 042, 061, 350	Electrical/Visual $\Delta P$ 15 $\pm$ 4 PSID with 12" 3-wire flying lead	H	PDHNBNN
041, 042, 322, 350, 440, 451, 610, 620, 621	Visual $\Delta P$ 70 $\pm$ 10 PSID	I	PVINBNN
022, 023, 041, 042, 061, 350	Visual $\Delta P$ 15 $\pm$ 4 PSID	K	PVKNBNN
022, 023, 041, 042, 061, 322, 350, 440, 451, 610, 620, 621	Visual $\Delta P$ 35 $\pm$ 5 PSID	L	PVLNBNN
041, 042, 061, 350, 360, 440, 451, 610, 620, 621	Visual $\Delta P$ 35 $\pm$ 5 PSID TL @ 100°F, Surge Control	M	PVMNBTS
022, 023, 041, 042, 061, 322, 350, 440, 451, 610, 620, 621	Electrical/Visual $\Delta P$ 35 $\pm$ 5 PSID with 12" 3-wire flying lead	N	PDNNBNN

Notes:

1. TL @ 100°F means no signal below 60°F and signal above 100°F.
2. Mating connector to be furnished by customer.

**DIFFERENTIAL INDICATOR KIT MODEL CODES (CONTINUED)**

Designed for Series	Description & Identification	Code	Model Code #
041, 042, 061, 322, 331, 350, 451, 610, 620, 621	Visual $\Delta P$ 100 $\pm$ 12 PSID	O	PVONBNN
322, 350, 440, 451, 610, 620	Visual $\Delta P$ 100 $\pm$ 12 PSID TL @ 100°F, Surge Control	P	PVPNBTS
022, 023, 041, 042, 061, 350	Electrical $\Delta P$ 15 $\pm$ 4 PSID	Q	PEQHBNN PEQBBNN
022, 023, 041, 042, 061, 322, 350, 440, 451, 610, 620, 621	Electrical $\Delta P$ 35 $\pm$ 5 PSID	R	PERHBNN PERBBNN
041, 042, 061, 322, 350, 440, 451, 610, 620, 621	Electrical/Visual $\Delta P$ 100 $\pm$ 12 PSID with 12" 3-wire flying lead	S	PDSNBNN
041, 042, 061, 322, 350, 440, 451, 610, 620, 621	Electrical $\Delta P$ 100 $\pm$ 12 PSID	T	PETHBNN PETBBNN
041, 042, 322, 350, 440, 451, 610, 620, 621	Electrical $\Delta P$ 70 $\pm$ 10 PSID	U	PEUHBNN PEUBBNN
041, 042, 322, 350, 440 451, 610, 620, 621	Electrical/Visual $\Delta P$ 70 $\pm$ 10 PSID w/TL @ 100°F	V	PDVHBTN PDVBBTN
041, 042, 061, 322, 350, 440, 451, 610, 620, 621	Electrical/Visual $\Delta P$ 100 $\pm$ 12 PSID TL @ 100°F	W	PDWHBTN PDWBBTN
022, 023, 041, 042, 061, 350	Electrical/Visual $\Delta P$ 15 $\pm$ 4 PSID TL @ 100°F, Surge Control	X	PDXHBTS PDXBTS
022, 023, 041, 042, 061, 322, 350, 440, 451 610, 620, 621	Electrical/Visual $\Delta P$ 35 $\pm$ 5 PSID TL @ 100°F, Surge Control	Y	PDYHBTS PDYBTS
041, 042, 061, 322, 350, 440, 451, 610, 620, 621	Electrical/Visual $\Delta P$ 100 $\pm$ 12PSID TL @ 100°F, Surge Control	Z	PDZHBTS PDZBTS

Notes:

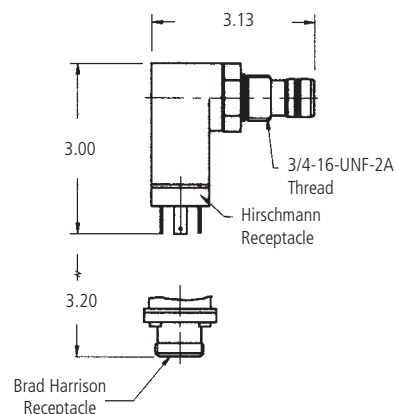
1. TL @ 100°F means no signal below 60°F and signal above 100°F.
2. Mating connector to be furnished by customer.

## DIFFERENTIAL INDICATORS AND SWITCHES

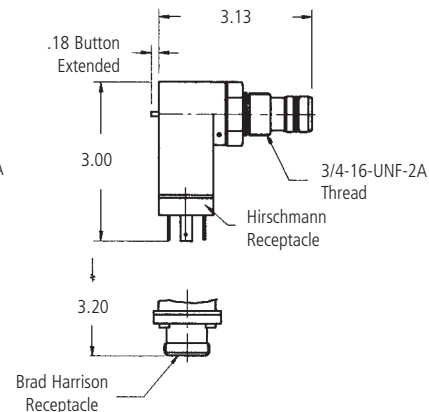
### Electrical Indicators

(with aluminum electrical housing)

Electric  $\Delta P$  indicator



Electric  $\Delta P$  Indicator with pop-up visual button and manual reset



#### Specifications

- Operating pressure to 6000 psi
- Electrical and electrical/visual indicators have optional thermal lockout
- Fatigue rated to 3500 psi

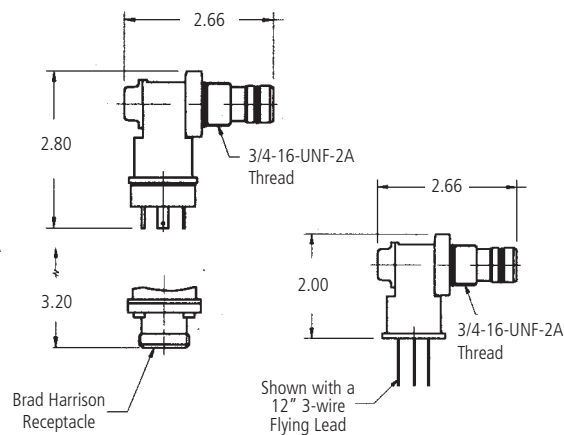
#### Electrical Ratings

- 4 amps, inductive
- 7 amps, resistive
- 2 amps, lamp loaded @ 28VDC, 115 VAC 60 Hz
- 28 VDC

See pages 136 and 137 for service parts listing

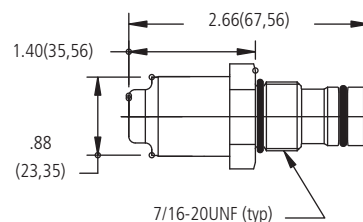
### Electrical Indicators

(with plastic electrical housing)



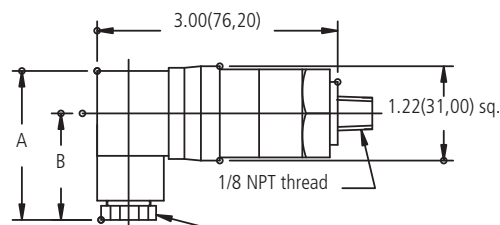
### Visual (mechanical) Indicator

(with auto reset pop-out button)



## Electrical Switches

Connector	A	B
Hirschmann	48.2 (1.90)	34.9 (1.37)
Brad Harrison	59.2 (2.33)	46.7 (1.80)



P-233051-01	Electrical Switch for WL15/16, WT15, W012, W015, WR11, WR15, WR17, W021, and W022 series filters with DIN connector, 18 PSI
P-233573-01	Electrical switch for WL15/16/18, W015, W021, and W022 Series filters with DIN connector, 35 PSI
P-234117-01	Electrical Switch for WL15/16/18, WT15, W021, W012, W015, WR11, WR15, WR17, and W022 Series filters with Brad Harrison connector, 18 PSI
P-234118-01	Electrical Switch for WL15/16/18, W015, W021 and W022 Series filters with Brad Harrison connector, 35 PSI