



## **WF C101/C102 CAST IRON PUMP/VALVE COMBINATION**

- Rugged Cast Iron Construction
- Interchangeable Parts
- Optional Mountings / Actuators
- High Performance / Low Cost
- Fully Tested



[www.FluidyneFP.com](http://www.FluidyneFP.com)



# Our Promise: People Make the Difference



**Our promise at FluidDyne** is to provide the fluid power industry with high quality, fully tested and technically supported hydraulic pumps, motors and valves. We produce our products in the most cost effective manner possible and share the saving with our customers. We understand and value the local service and support provided by repair shops, resellers and Distributors to the -- and Users of fluid power machines. We do not compete with our customers; rather we work with our channels as partners in their success and to advance the technology of fluid power.

Our strength is our people. We focus on personal development and a long term commitment to our staff. We recognize knowledgeable people are a valuable part of the service a business organization provides. We stress a commitment to learning and customer support at every level of the FluidDyne organization. Customer Service, Engineering, Quality, Manufac-

turing, Inventory, Shipping and Management all work together to serve our customers. We believe in treating everyone inside and outside the company with professionalism and respect.

Application and technical support for our products is easy access, and we pride ourselves in not having a switchboard or phone tree. The person, who picks up the phone, helps the customer. We like it simple; we like it direct. Our inventory is extensive and our people are skilled at assembly, modifications and testing. Our product leaves the factory fast (often the same day) and it leaves correct, tested and documented. If there is a mistake, we work hard to make it right, quickly and fairly.

Please call or email to learn more about FluidDyne, our products and people make us special.

- **New FluidDyne and Remanufactured Products**
- **Outstanding Customer Service**
- **Custom Proprietary software allows immediate & accurate technical support, quoting, order entry & bill of material information**
- **18 month warranty**
- **Standard & Modified Products**

- **Extensive Michigan Inventory**
- **Twelve test stands that allow for quick 100% testing of all units shipped**
- **ISO Certified**
- **End Customer Protection**
- **Performance you have come to expect**
- **Blind Drop Shipments**

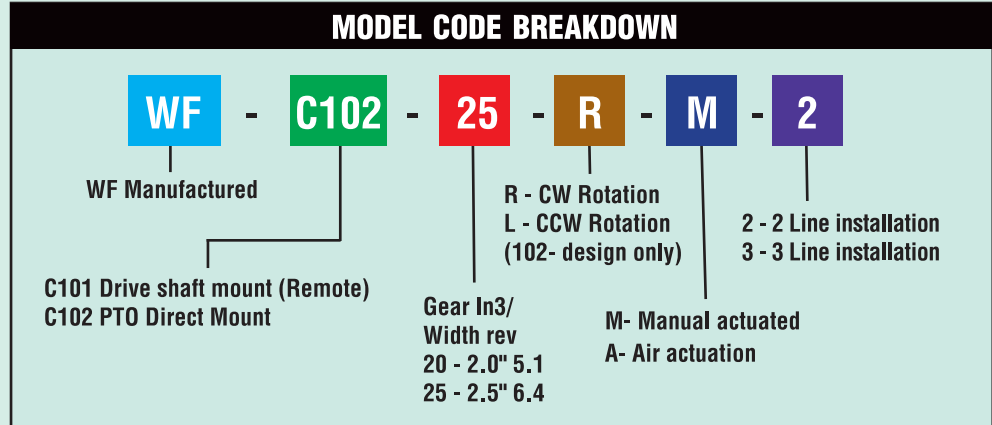


Visit  
[www.FluidDyneFP.com](http://www.FluidDyneFP.com)

Email: [cs@FluidDyneFP.com](mailto:cs@FluidDyneFP.com)

# DUMP PUMP/VALVE ORDERING SPECIFICATION

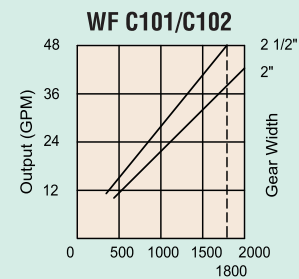
FluidDyne offers a complete line of rugged cast iron pump /valve combination for the dump truck and trailer industry. Units are available for SAE-B PTO mounting (C102) or remote drive shaft mounting (C101). Units are supplied with full flow adjustable main relief valves to protect the pump and cylinder from overloading and shock loads. A three position valve assembly controls the raising, holding and lowering of a single acting cylinder, control valve can be cab operated using mechanical cable actuation or air shift control. Installation can be either two line or three line type using the sleeve supplied.



### TECHNICAL DATA

Model series	Maximum psi	GPM @1800 RPM		MAXIMUM SPEED
		2"	2.5"	
C101	2500 *	39	48	2400
C102	2500 *	39	48	2400

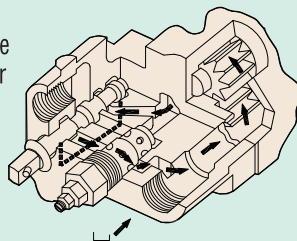
\*Factory default setting



## 2-LINE/3-LINE INSTALLATION

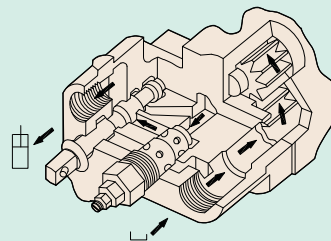
### 2-line installation

One line to cylinder, one line to the reservoir. For intermittent operation only.



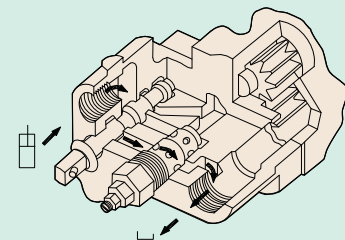
Spool in Neutral Position:

Oil recirculates internally.



Spool in Raise Position:

Oil is routed through work port to raise the cylinder.

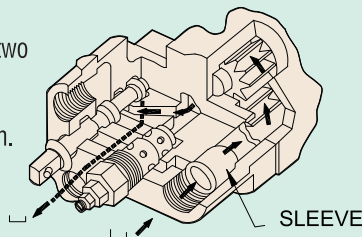


Spool in Lower Position:

Oil flows from the cylinder through the relief valve to return to tank.

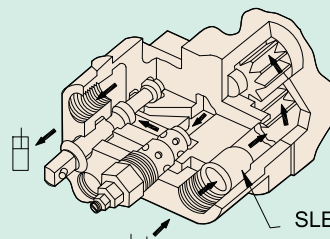
### 3-line installation

One line to cylinder, two lines to the reservoir. For continuous or intermittent operation.



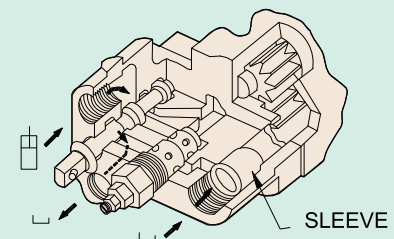
Spool in Neutral Position:

Oil circulates through the pump and returns to tank



Spool in Raise Position:

Oil is routed through work port to raise the cylinder.



Spool in Lower Position:

Oil flows from the cylinder through the bottom port and returns to tank.

## WF C101 CAST IRON PUMP/VALVE DIMENSIONS

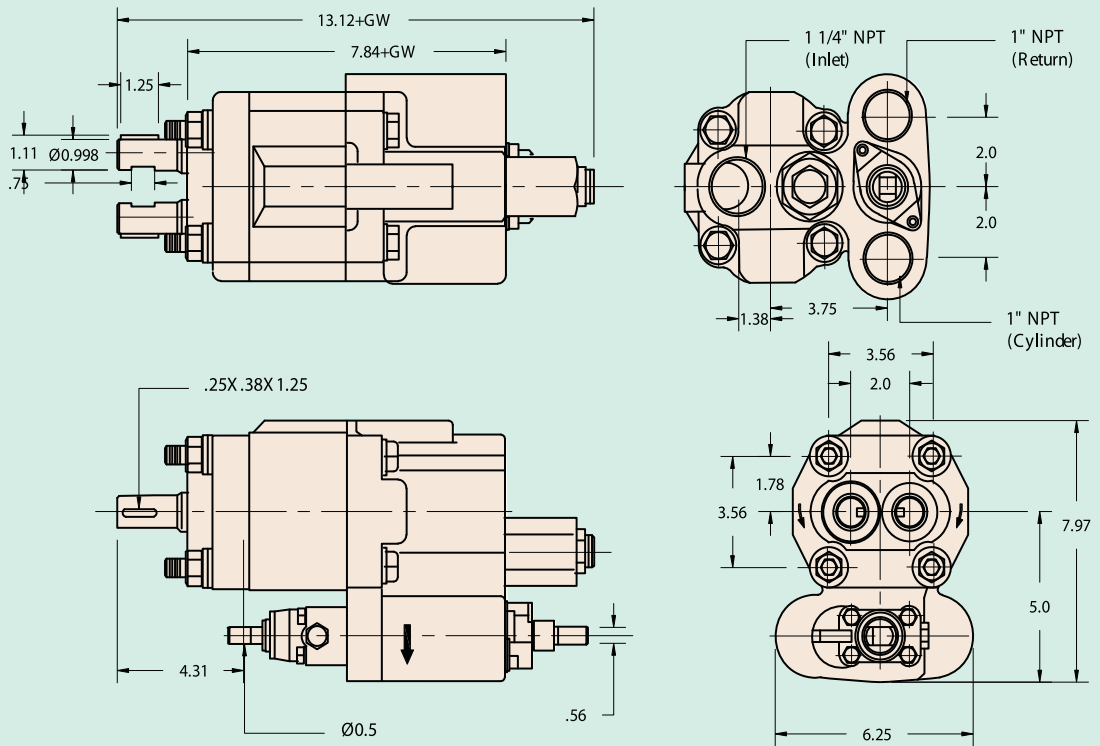
### WF C101

GEAR WIDTH:

2.0" 2.5"

WEIGHT(lbs):

66 69



## WF C102 CAST IRON PUMP/VALVE DIMENSIONS

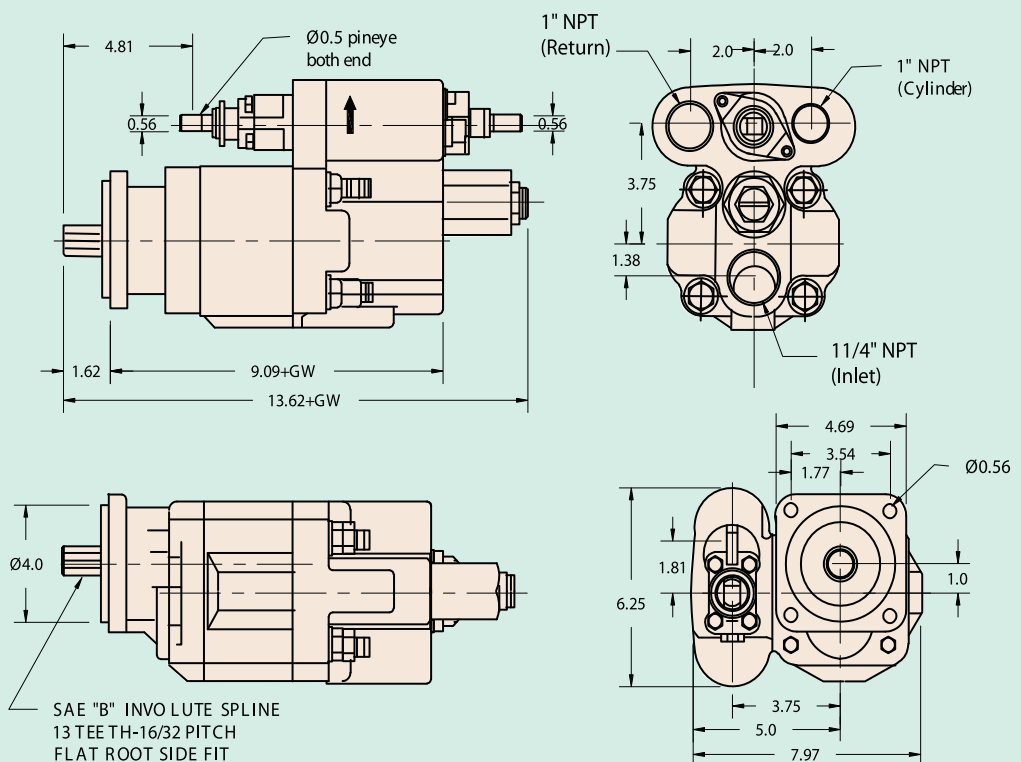
### WF C102

GEAR WIDTH:

2.0" 2.5"

WEIGHT(lbs):

68 71



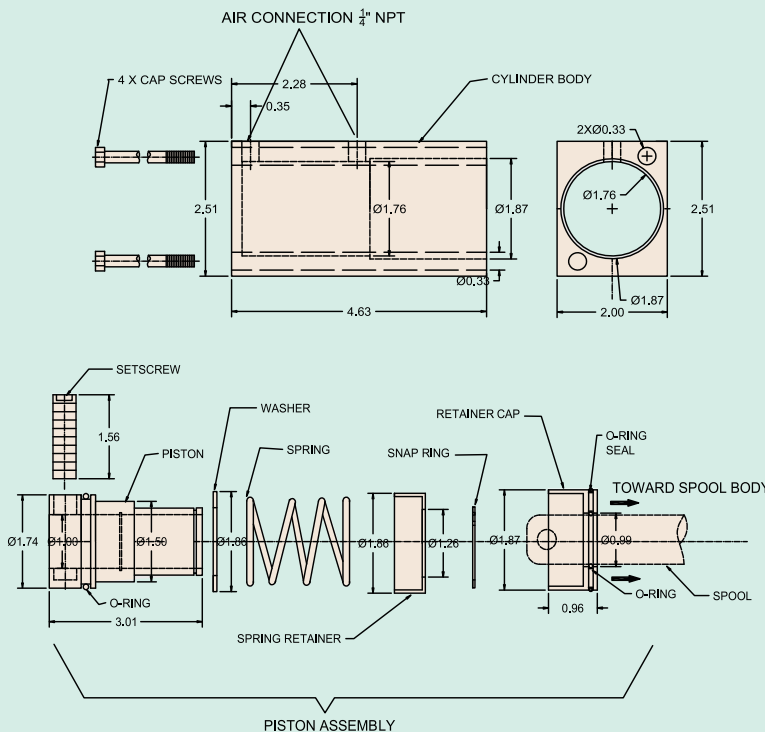
## Supporting the channels

means shipping our high quality products to the distributors and repair shops which provide local knowledge and assistance to the users and builders of fluid power equipment.

*Our people  
make the  
difference!*



## WF C101/C102 AIR SHIFT



### Air Shift Installation Instructions

- The Air shift mounts on WF C101/C102 Dump pump in place of the detent end cap
- Prepare work area by assuring a clean work environment for assembly & disassembly of the Dump pump spool valve  
Preparing Pump/Valve spool for air shift kit installation
- Remove snap ring and washer from valve spool
- Remove the detent cap, spring and ball from the valves end cap
- Remove four(4) cap screws and slide detent cap from the spool
- **\*\*DO NOT REMOVE "O" RING FROM VALVE HOUSING\*\***

### Installation of Air Shift Kit

- Remove retainer cap
- Remove snap ring / spring retainer / spring / washer
- Slide piston assembly from the cylinder body
- Remove setscrew from piston assembly using 1/4"hex wrench
- Grease and slide Retainer Cap over valve spool with flat face of cap facing the spool body
- Assemble snap ring / spring retainer / spring / washer on piston
- Slide piston over valve spool and align and insert set screw attaching the piston to the spool
- Grease piston and O Rings
- Slide cylinder body over the piston assembly making sure not to damage the O Rings
- Secure the assembly using the 4 cap screws supplied



# PUMPS & MOTORS

## VICKERS / EATON

- ▲ Genuine FluiDyne
- Remanufactured products

### VHO / VQ Single, Double & Triple

- ▲ ■ 20,25,30,35,40,45 (V/VQ)
- ▲ ■ 2520, 2521, 3520, 3525, 4520, 4525, 4535 (V/VQ)
- ▲ ■ Cart Kits available for all sizes

\*Caterpillar part numbered pumps also available

### Round Pumps

- V104/5, V108/9, V110/1, V124/5, V128/9, V134/5
- V144/5, V148/9, V350/3/6, V360/1/2, V368/9/70
- VC108, 138, 148 Combination Pumps

### Motors

- MHT 32, 50, 70, 90, 150, 250, 330, 440, 500, 660, 750, 1000
- ▲ ■ 25M, 26M, 35M, 36M, 45M, 46M, 50M

- Aftermarket
- ◆ Veljan

### Square Pumps

- ▲ ■ V10F, V10NF, V10P, V20F, V20NF, V20P
- ▲ ■ V10, V20, V2010, V2020

### Piston Pumps

- ▲ ■ PVH 57, 74, 98, 131, 141
- ▲ ■ PVE 12, 19, 21, 27, 35, 47, 62
- MVE 19
- MFE 15, 19
- ▲ ■ (M) PVB / (M) FB 5, 6, 10, 15, 20, 29, 45, 90

### Transmissions

- TA, 15, 19, 1919, 19V, 21

## RACINE/BOSCH

- ▲ ■ PSV 10, 15, 20, 25, 40
- ▲ ■ PSV 80, 100
- ■ PVF, PVQ, PVR
- ■ PVK, PVT, PVS
- VPV

## CHAR-LYNN

- ▲ H Series
- ▲ S Series
- ▲ 2000, 10,000 Series
- ▲ 4000, 6000 Series

## REXROTH

- ▲ ■ A10V 28, 45, 63, 85 Series 52/53
- ▲ ■ A(A)10V 18, 28, 45, 71, 100, 140

## DENISON

- T6
- M4C, M4D, M4E
- PV 6, 10, 15, 20, 29

## OILGEAR

- PVW (W) (H) 06, 10, 15, 20, 34, 45, 60

## VELJAN

- ◆ VT6C, VT6D, VT6E, T7
- ◆ VT6CC, VT6DC, VT6EC, VT6ED
- ◆ VM4C, VM4D

## VALVES

### Pressure Controls/Relief

- X (C) G or T 03, 06, 10
- ▲ ■ CT/CG/CS/CF 03, 06, 10

### Check Valves

- ▲ ■ CG5
- 4CT, 4CG
- DT8P1

### Needle Valves

- ▲ ■ 1/8, 1/4, 3/4, 1 1/2

### Directional Valves

- ▲ ■ D03-DG4V3, D05-DG4S4, DG4V5, DG5V5
- ▲ ■ D08-DG5S4-06, DG5S8, DG5V8, DG5VH8, D07-DG4S4-04, DG5V7
- ▲ ■ DG17V/S 03, 05
- ▲ ■ D03, D05, D07, D08 Manifold/Subplates
- ▲ ■ Sandwich, flow, pressure and Check Modules for D03, D05, D07, D08

## FILTERS

FluiDyne has a full range of replacement filter elements and filter housings for:

- Pall
- Schroeder
- Hycon
- Hydac
- Vickers
- Parker

\*Manufacturers names and numbers are for reference only



31915 Groesbeck Highway • Fraser, Michigan 48026  
 PH: 1-586-296-7200 • FAX: 1-586-296-7210  
 www.FluiDyneFP.com • Email: cs@FluiDyneFP.com

An ISO 9001:2008 Company